

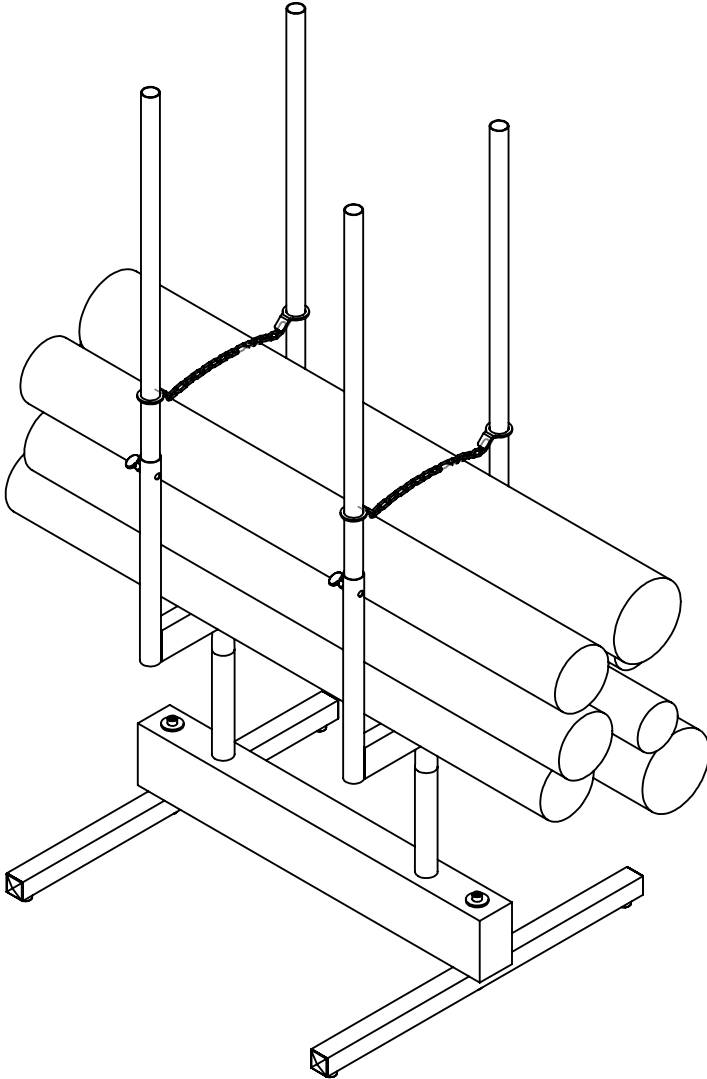
BULK LOG STAND 2

Patent
Pending



WWW.FOREST-MASTER.COM

Safe, Secure, Multiple Log Sawhorse

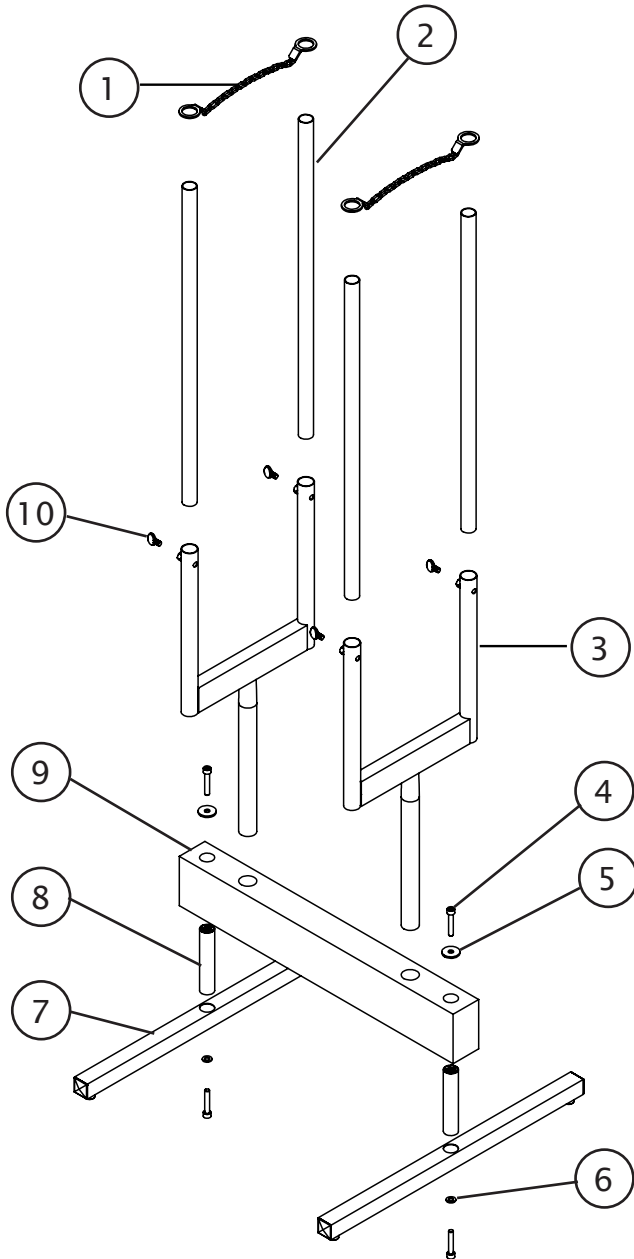


IMPORTANT: Read this manual fully before assembly and use and observe all safety rules and operating instructions



Technical Specification	2
Exploded View	3
Parts List	4
Assembly	4
Operation	8
Safety	10
Warranty	12

Maximum total weight of logs	150 kg
Length	640 mm
Width	590 mm
Height (stored)	690 mm
Minimum working height	720 mm
Maximum working height	1300 mm
Weight	8.2 kg

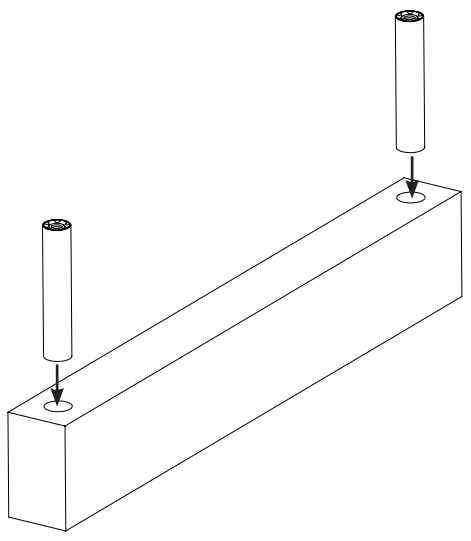




Item	Description	Qty
1	Log securing chain	2
2	Telescopic upright	4
3	U-Support	2
4	M8 x 45 mm cap head bolt	4
5	Large washer	2
6	Small washer	2
7	Foot	2
8	Bolt tube	2
9	Wood base	1
10	Thumbscrew	4

STEP 1:

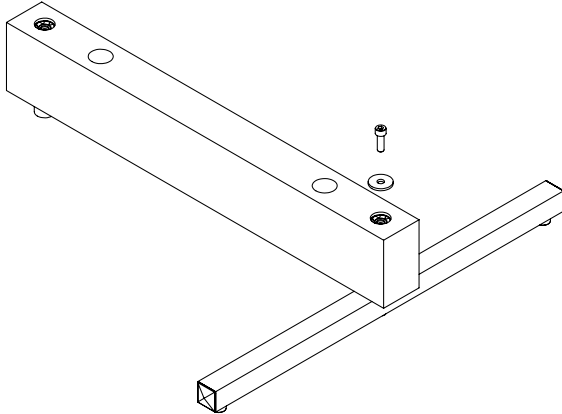
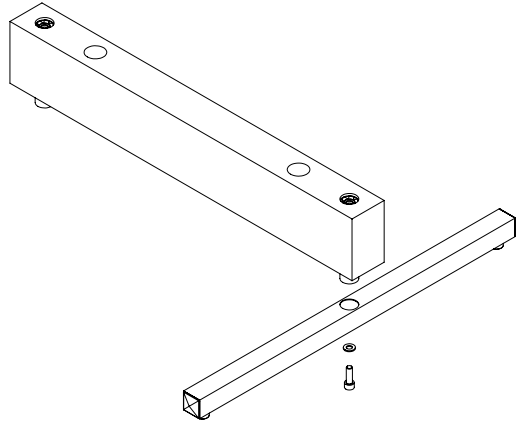
Insert the bolt tubes (8) into the outermost holes in the wood base (9). The tubes should be inserted from the side with only 2 holes visible, until approximately 28 - 29 mm of tube is still protruding.





STEP 2:

Insert the protruding end of one of the bolt tubes into the hole in the top of a foot (7) and secure using a M8 x 45mm bolt (4) and small washer (6). Ensure that the bolt is tight before proceeding to step 3.



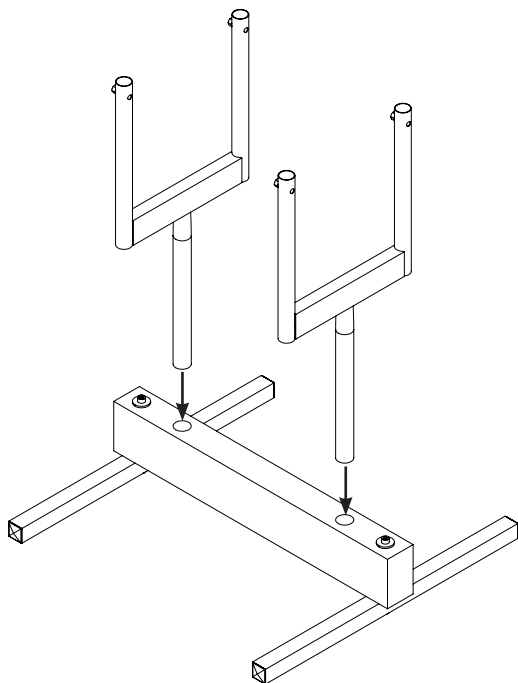
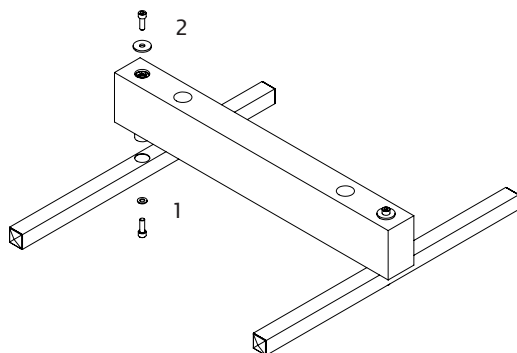
STEP 3:

Using a M8 x 45mm bolt (4) and a large washer (5), secure the bolt tube to the wood base.



STEP 4:

Repeat the procedure for the remaining foot. As before, first connect the foot to the bolt tube using a M8 x 45 bolt and small washer then connect the tube to the wood with a M8 x 45 bolt and large washer.



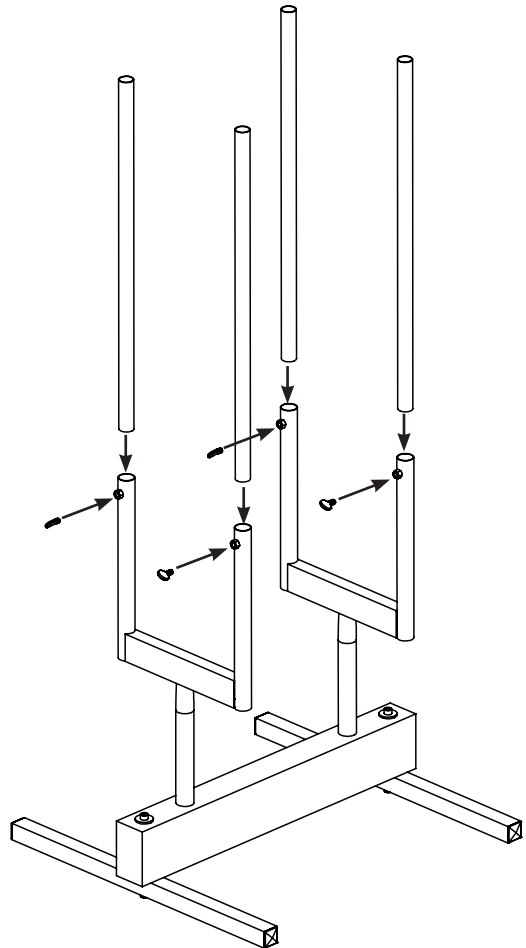
STEP 5:

Insert a U-Support (3) into one of the holes in the top of the wood base. Ensure the locating tube is fully seated in the hole. Repeat for the second U-Support.



STEP 6:

Insert a telescopic upright (2) into one of the guide tubes of a U-Support and secure with a thumbscrew (10). Repeat for the remaining telescopic tubes.

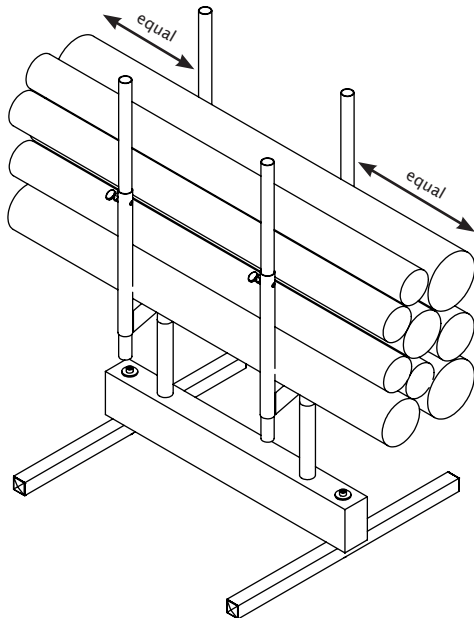
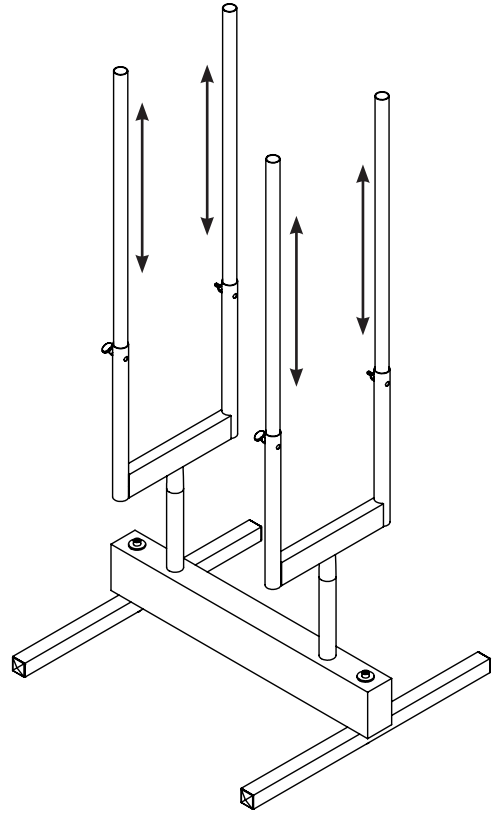




WWW.FOREST-MASTER.COM

STEP 1:

Adjust the height of the telescopic uprights to suit the quantity of logs to be sawn. To adjust an upright, unscrew the thumbscrew, move the upright to the required height and tighten the thumbscrew.



STEP 2:

Load the logs into the U-Supports so that the overhangs outside of the U-Supports are roughly equal.

Ensure you do not exceed the maximum total weight of logs given on page 2.

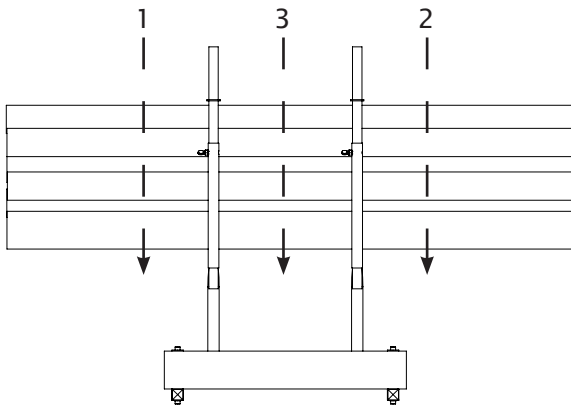
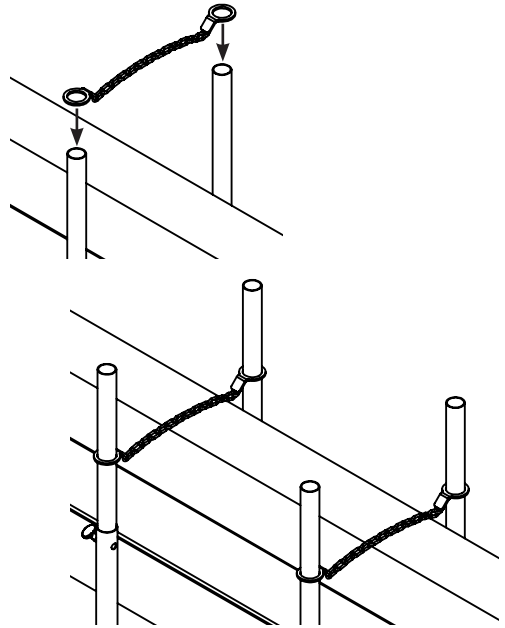


STEP 3:

Take a log securing chain (1) and place one loop over each of the telescopic uprights of a U-Support. Note that the flat part of the loop to which the chain is attached should be angled downwards.

Allow the chain to slide down the uprights so it rests on the logs.

Repeat for the second securing chain on the other U-Support.



STEP 4:

Begin cutting the logs by sawing the overhanging ends to the required length of log then saw down between the two U-Supports.

If the overhanging ends need to be cut into multiple logs then cut alternately from each end in order to keep the weight over the centre of the stand.

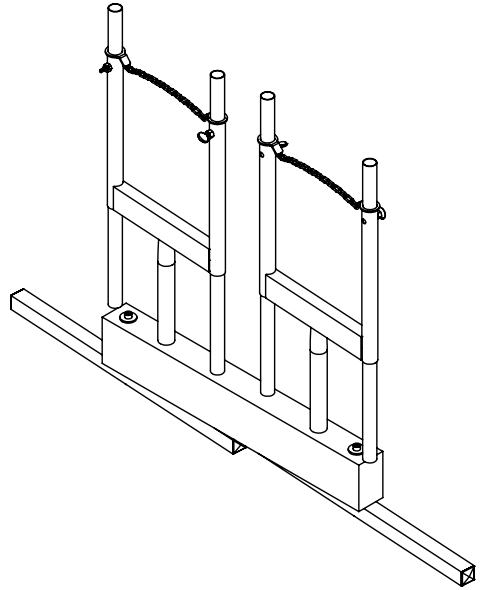


WWW.FOREST-MASTER.COM

STEP 5:

For easy storage turn the U-Supports so they are roughly parallel to the side of the wood base and lower the telescopic uprights.

The feet can also be turned roughly parallel to the base, note it may be necessary to loosen the top bolt in each bolt tube to do this. Ensure that when the feet are turned back to the working position the bolts are re-tightened.



IMPORTANT: Please read these instructions carefully. Note the safe operational requirements, warnings & cautions. Use the product correctly and with care for the purpose for which it is intended. Failure to do so may cause damage and/or personal injury and will invalidate the warranty. Please keep these instructions safe for future use.



IMPORTANT SAFETY INFORMATION

Before using the log stand always check that all nuts and bolts are secure and that the log stand is not damaged.

Use the log stand on firm level ground only. Do not use on sloping or uneven ground.

After securing the logs in the log stand, check the stability and balance before starting to cut. The log stand must not be able to tilt.

Read and observe the operating instructions of the chainsaw you are using and wear all recommended safety gear. Always wear safety shoes or boots in case a log is accidentally dropped on your feet.

Only cut with the bottom of the chainsaw bar as the log may otherwise shift away from the rotating chain, become unstable and increase the risk of personal injury.

Clear and stack the sawn logs away from the log stand to keep the work area clear of obstructions and safety hazards.



IMPORTANT: Check that the logs are secure and the log stand is stable before beginning to cut.



WARNING: Do not exceed the specified maximum total log weight as given on page 2 of this manual.



Warranty

This product carries a one (1) year limited warranty against defects in workmanship and materials. Should this product become defective within the stated warranty period, return it to the store with proof of purchase, and it will be replaced or repaired free of charge.

This warranty does not apply if the product has been subjected to physical abuse, neglect, misuse, wear and tear, incorrect use or has been modified in any way.

This warranty in no way affects your statutory rights.

IMPORTANT: NO RESPONSIBILITY IS ACCEPTED FOR INCORRECT USE OF THIS PRODUCT.

NOTE: It is our policy to continually improve products and as such we reserve the right to alter data, specifications and component parts without prior notice.

Manufactured under license for Forest Master Limited.

Head Office:

Forest Master Ltd, Industry Road, Heaton, Newcastle Upon Tyne,
NE6 5XB, United Kingdom.

Tel: +44 191 2966939

email: info@forest-master.com - web: www.forest-master.com