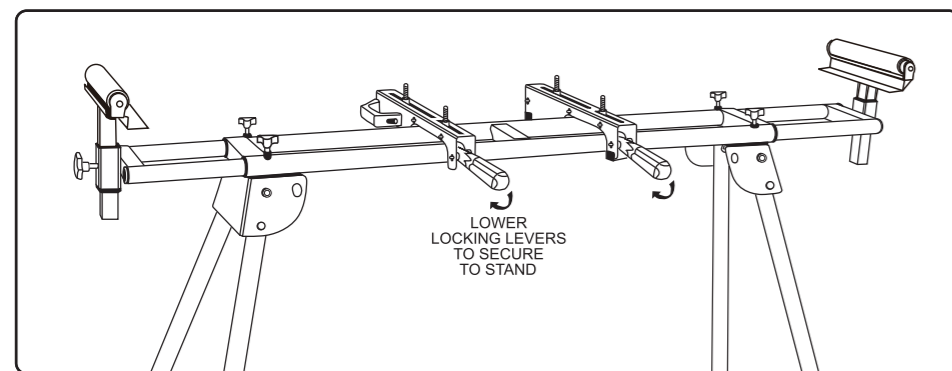
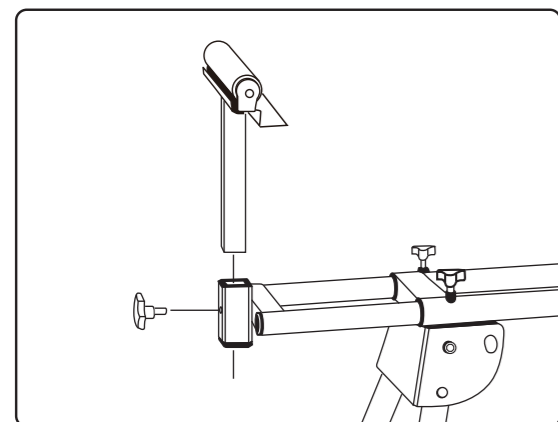
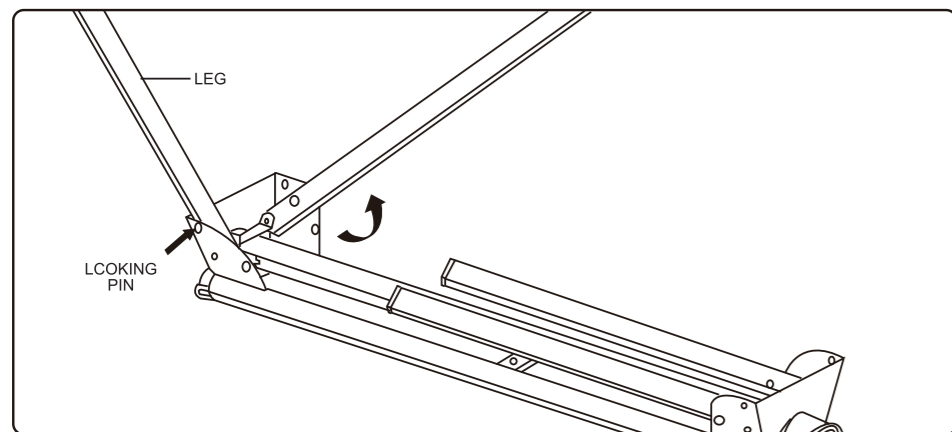


size: 21x29cm

29cm

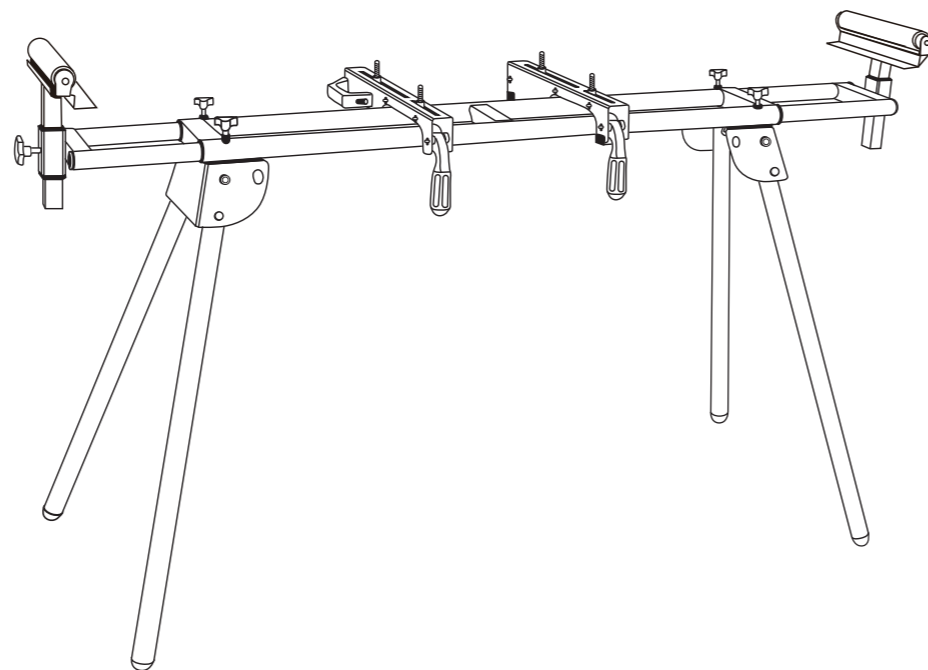
### ASSEMBLY



4

# MITRE SAW STAND

## Assembly & User Manual



1



### IMPORTANT SAFETY INSTRUCTIONS

#### READ ALL INSTRUCTIONS BEFORE USING THIS PRODUCT

We strongly recommend that this tool not be modified and/or used for any application other than that for which it was designed. If you have any questions relative to its application, do not use the equipment until you have consulted us and we have advised you.

- KEEP WORK AREA CLEAR** of obstructions and well ventilated. Cluttered areas invite injury.
- CONSIDER WORK AREA ENVIRONMENT.** Don't use electrical tools in damp or wet locations. Don't expose your tool to rain. Keep the work area well lit. Don't use tools in the presence of flammable gases or liquids. Atomized fluids like paints and solvents can be highly flammable. Do not spray them near this equipment.
- KEEP CHILDREN AND BYSTANDERS AWAY.** All children should be kept away from the work area. Don't let them handle machines, tools or extension cords. Visitors can be a distraction and are difficult to protect from injury.
- STORE IDLE EQUIPMENT.** Store equipment in a dry area to inhibit rust. Equipment also should be in a high location or locked up to keep out of reach of children.
- SAFETY GLASSES** To prevent eye injuries, the operator and all persons in the work area must wear approved safety glasses with permanently attached, rigid side shields.
- STAY ALERT.** Watch what you are doing & use common sense. Don't operate any tool when you are tired.
- DON'T OVERREACH.** Keep proper footing and balance at all times. Do not reach over or across machines which are running.

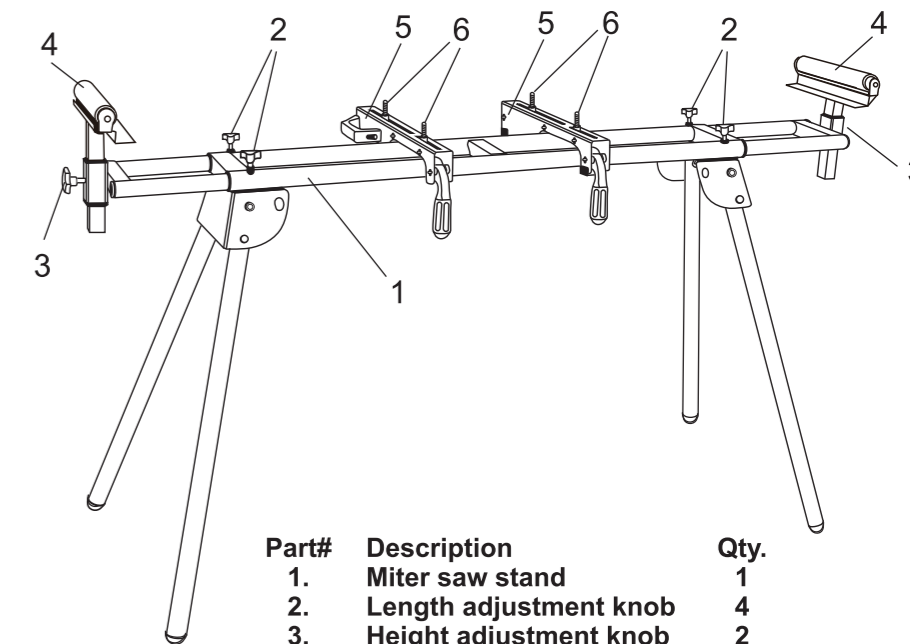
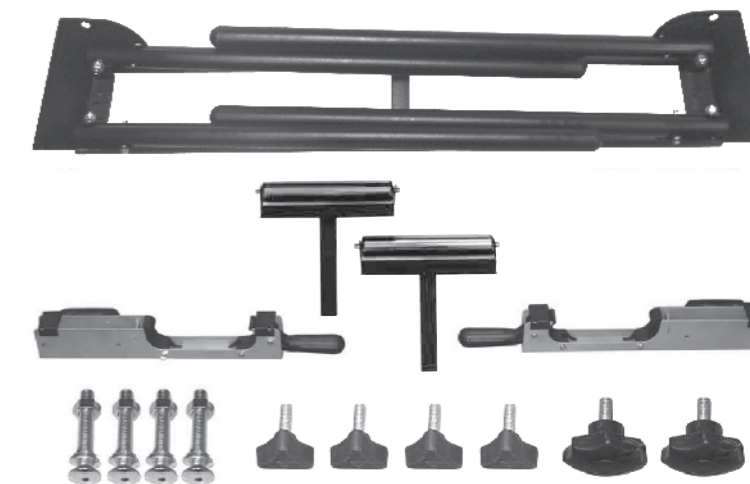
### CUSTOMER SUPPORT

For help and support with using this product call customer services on 0191 2966966 or email [info@arrows-uk.com](mailto:info@arrows-uk.com).

Arrows Corporation Ltd, Industry Road, Heaton, Newcastle Upon Tyne, NE6 5XB.

2

### PACKAGE CONTENTS



Part#	Description	Qty.
1.	Miter saw stand	1
2.	Length adjustment knob	4
3.	Height adjustment knob	2
4.	Work support	2
5.	Saw mounting bracket	2
6.	Bolt & Nut & Washer M6	4

3